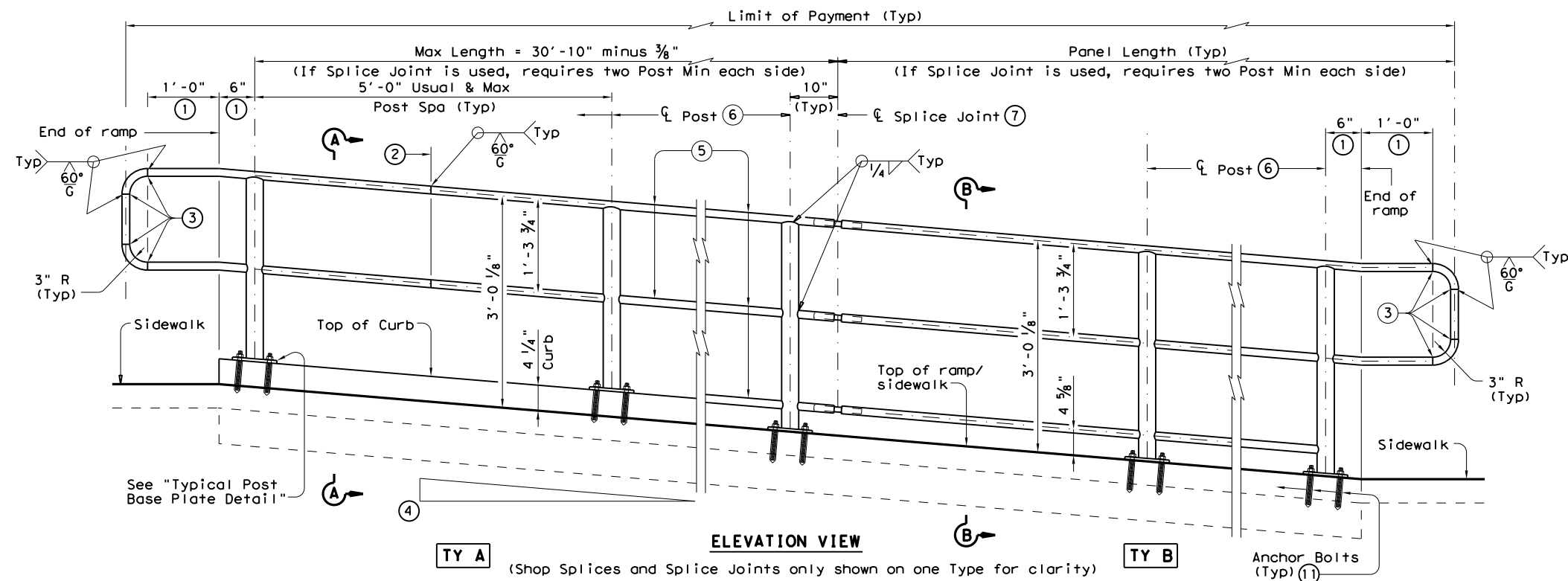
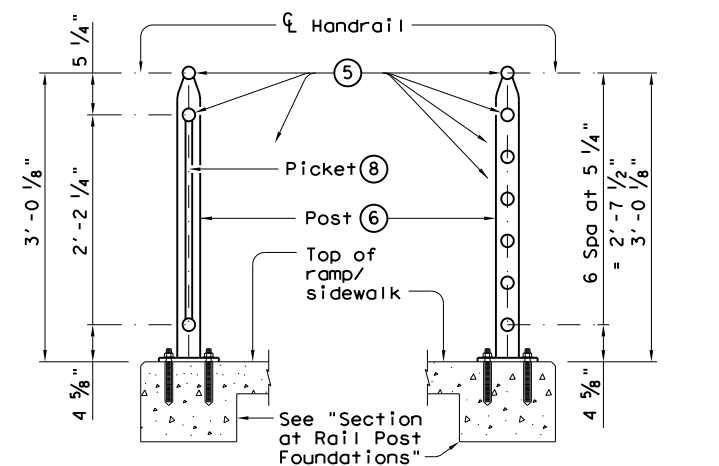
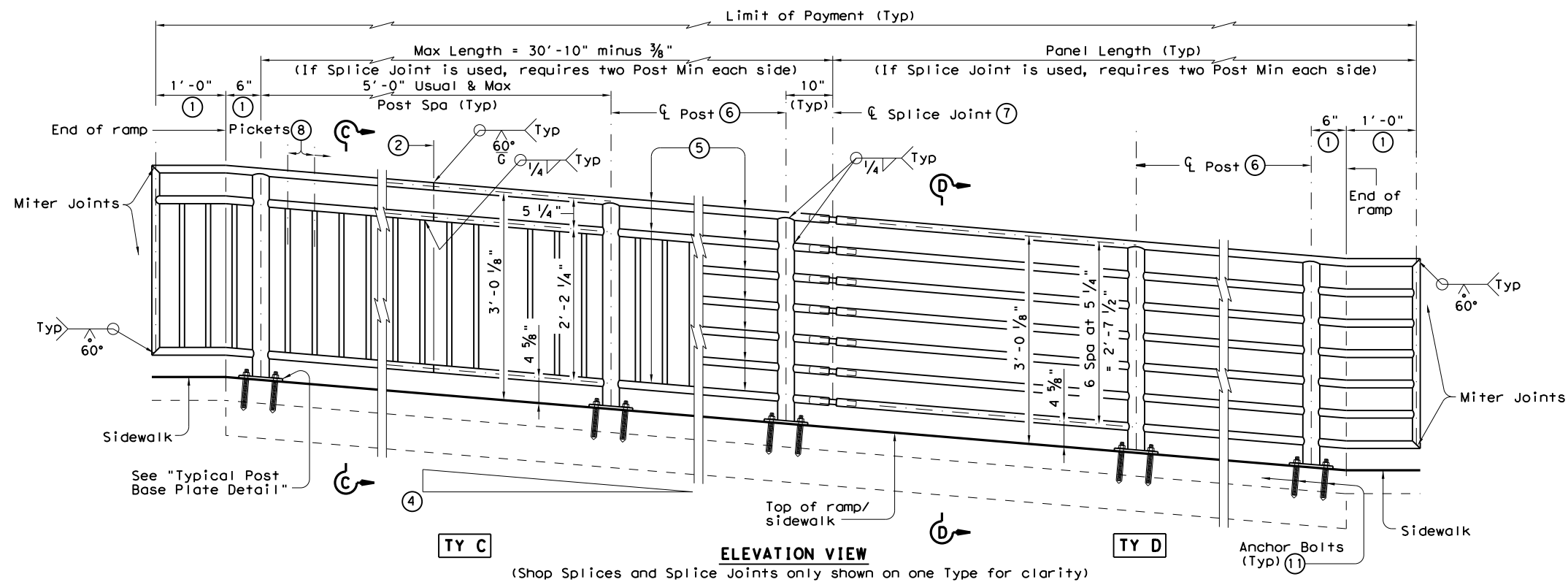
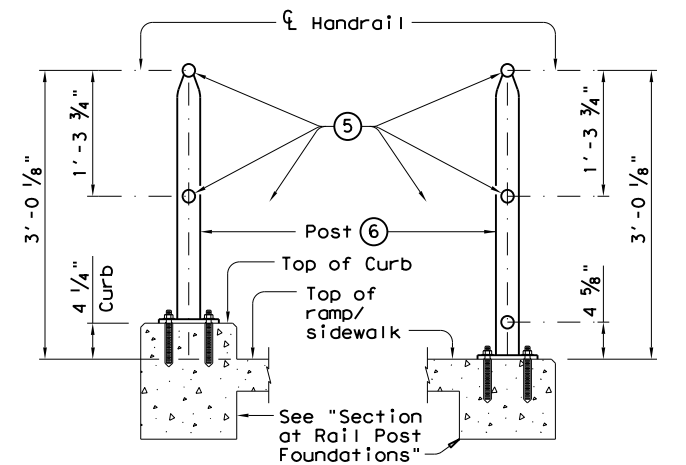


DISCLAIMER: The use of this standard is governed by the "Texas Engineering Practice Act". No warranty of any kind is made by TxDOT for any purpose whatsoever. TxDOT assumes no responsibility for the conversion of this standard to other formats or for incorrect results or damages resulting from its use.

DATE:
FILE:



RECOMMENDED USAGE ⑨ ⑩	
Dropoff Height/Condition	Recommended Rail Options
< 30" dropoff	TY A, TY B, TY C, or TY D
≥ 30" dropoff, or along Bike Path	TY E or TY F



- ① Parallel to ground.
- ② One shop splice per panel is permitted with minimum 85 percent penetration. The weld may be square groove or single vee groove. Grind smooth.
- ③ Shop splice is permitted with minimum 85 percent penetration. The weld may be square groove or single vee groove. Grind smooth.
- ④ See Ramp Details located elsewhere in plans for ramp slope and dimensions. Maximum ramp slope will not exceed 8.3 percent. Level landing required for each 30" rise if grade exceeds 5 percent.
- ⑤ 1 1/2" Dia. Standard Pipe (1.900" O.D., 0.145" wall thickness). Parallel to ramp / sidewalk. Provide holes as needed in 1 1/2" Dia. pipe for galvanizing drainage and venting.
- ⑥ 2 1/2" Dia. Standard Pipe (2.875" O.D., 0.203" wall thickness). See "Post Mount Detail" for crimping and trimming post to fit Dia. of top rail. Provide holes as needed in post for galvanizing drainage and venting. Plumb all posts.
- ⑦ See "Handrail Fabrication Details" for Splice Joints.
- ⑧ 5/8" Dia. Round Bar equal spacing at 4 1/2" Max. Plumb all pickets.
- ⑨ When needed for accessibility (grade > 5 percent) or as needed for pedestrian safety.
- ⑩ Not to be used on bridges.
- ⑪ See "General Notes" for anchor bolt information.

SHEET 1 OF 3

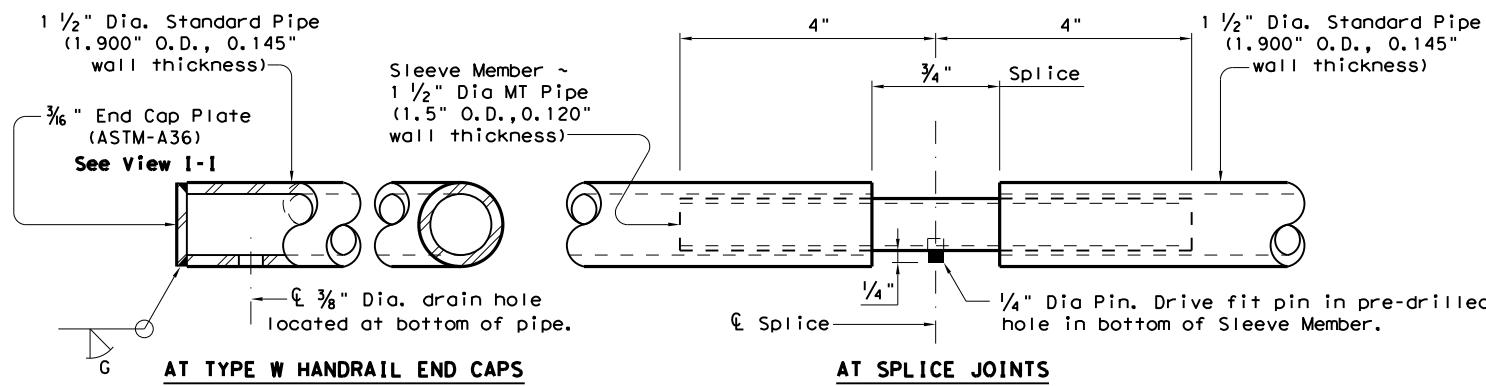


PEDESTRIAN HANDRAIL DETAILS PRD-13

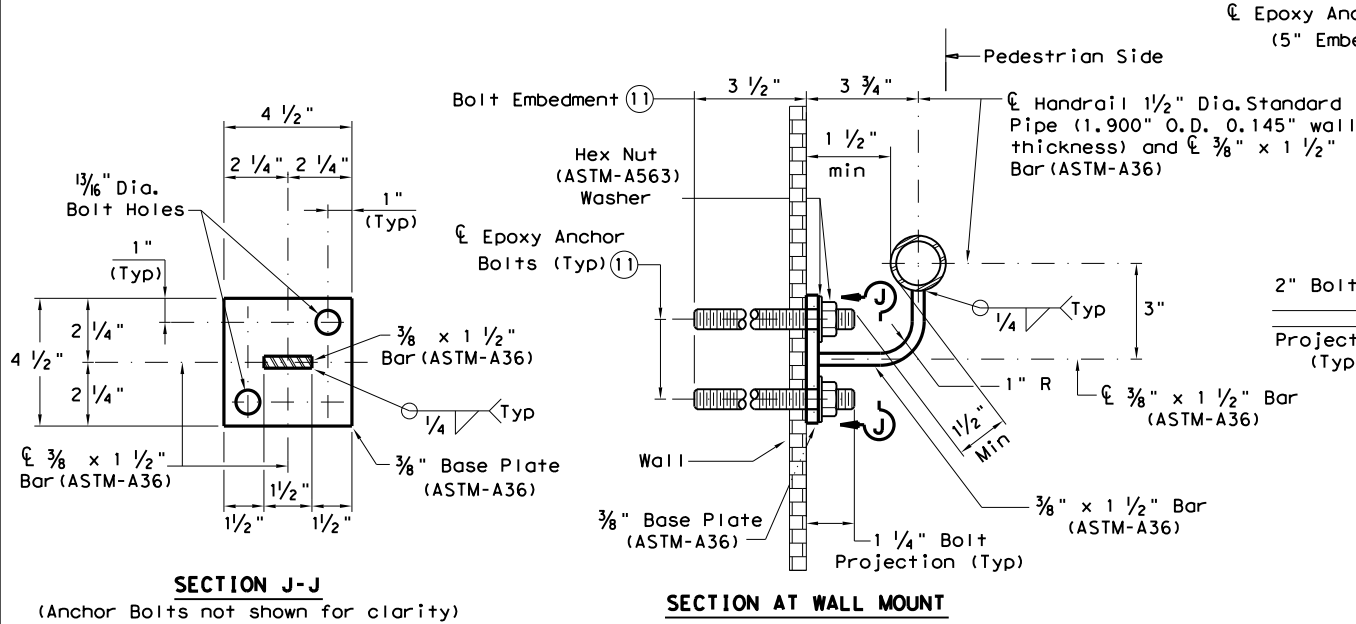
FILE: prd13.dgn	DN: TxDOT	CK: AM	DW: JTR	CK: CGL
© TxDOT Decmber 2006	CONT	SECT	JOB	HIGHWAY
REVISIONS				
REVISED MAY, 2013 (VP)	DIST	COUNTY		SHEET NO.

DISCLAIMER: The use of this standard is governed by the "Texas Engineering Practice Act". No warranty of any kind is made by TxDOT for any purpose whatsoever. TxDOT assumes no responsibility for the conversion of this standard to other formats or for incorrect results or damages resulting from its use.

DATE: FILE:

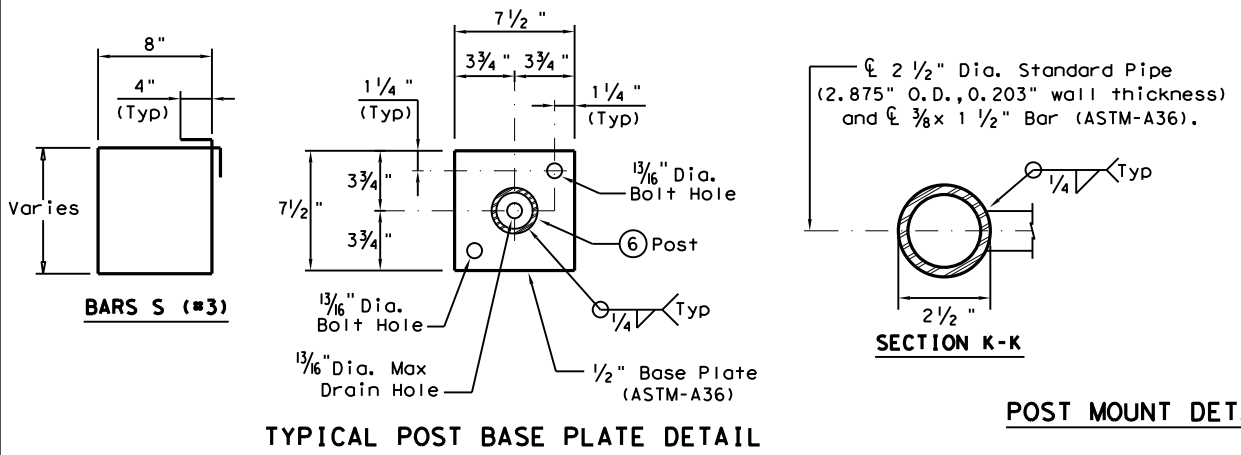


HANDRAIL FABRICATION DETAILS

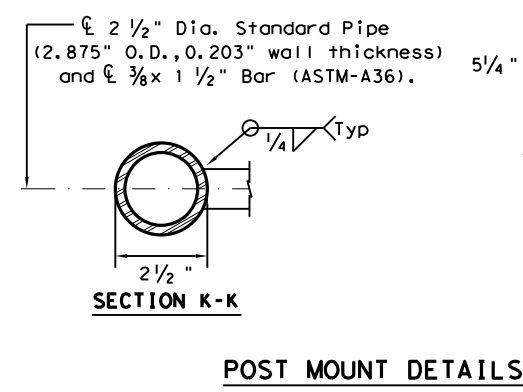


TYPICAL WALL MOUNT DETAILS

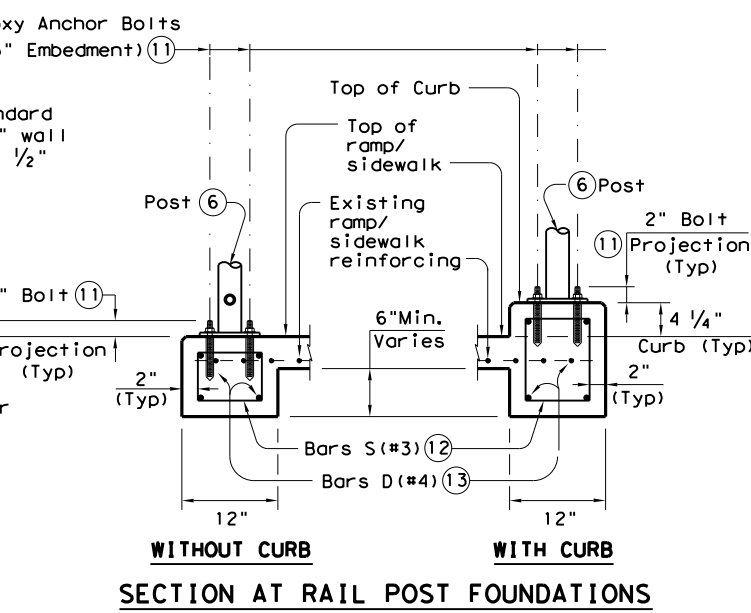
- ⑤ 1 1/2" Dia. Standard Pipe (1.900" O.D., 0.145" wall thickness). Parallel to ramp/sidewalk. Provide holes as needed in 1 1/2" Dia. pipe for galvanizing drainage and venting.
- ⑥ 2 1/2" Dia. Standard Pipe (2.875" O.D., 0.203" wall thickness). Plumb all posts. See "Post Mount Detail" for crimping and trimming post to fit the diameter of top rail. Provide holes as needed in post for galvanizing drainage and venting.
- ⑪ See "General Notes" for anchor bolt information.
- ⑫ Bars S(#3) spaced at 12" Max (Spaced 3" from outside edge of overall length of Ramp/Sidewalk).
- ⑬ Provide 1 1/2" end cover to Bars D(#4) from outside edge of overall length of Ramp/Sidewalk.



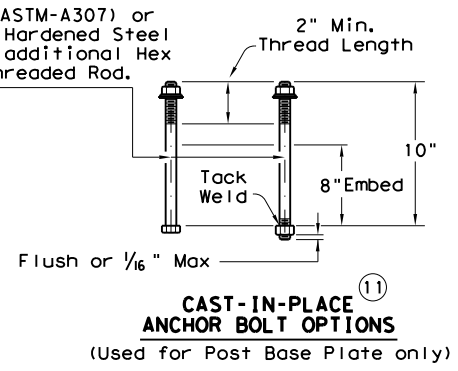
TYPICAL POST BASE PLATE DETAIL



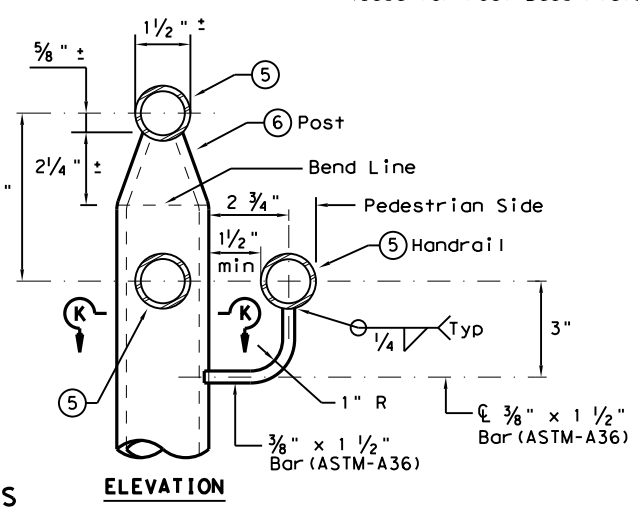
POST MOUNT DETAILS



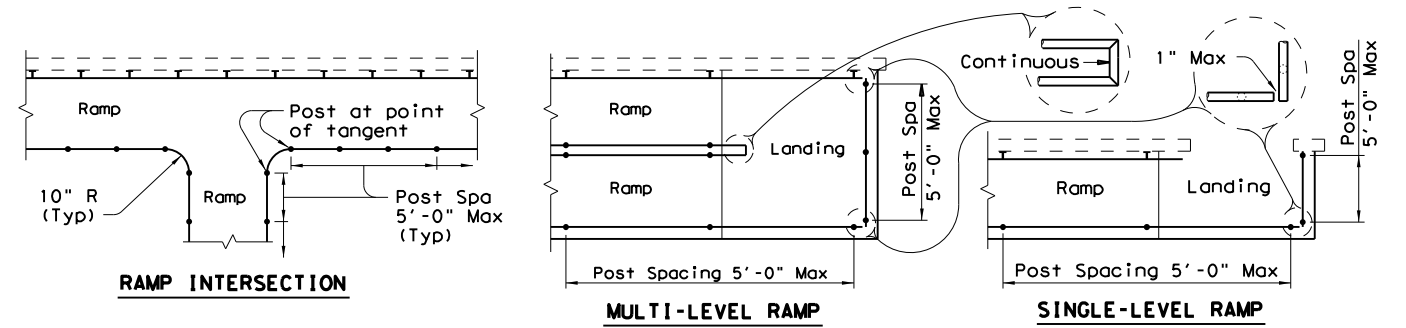
SECTION AT RAIL POST FOUNDATIONS



CAST-IN-PLACE ANCHOR BOLT OPTIONS
(Used for Post Base Plate only)



ELEVATION



PLAN SHOWING RAIL AT RAMP CONDITIONS

GENERAL NOTES

Designed according to ADAAG, Texas Accessibility Standards, Uniform Building Code, and AASHTO LRFD Specifications.

Handrail anchorage details shown on this standard may require modification for select structure types. See appropriate details elsewhere in plans for these modifications.

Pipe will conform to ASTM-A53 Grade B or A500 Grade B. Steel plates and steel bars will conform to ASTM-A36. Mechanical tubing (MT) will conform to ASTM A513 Grade 1015 or higher. Galvanize all steel components except reinforcing steel unless noted otherwise.

Concrete for foundations will be in accordance with Item 531 "Sidewalks". All reinforcing steel must be Grade 60. Bar laps, where required, will be as follows: Uncoated ~ #4 = 1'-5" Epoxy coated ~ #4 = 2'-1"

When the plans require painted steel, follow the requirements for painting galvanized steel in Item 446, "Cleaning and Painting Steel". Sleeve Members will receive galvanization and only get field painted after installation unless directed otherwise by Engineer.

Epoxy Anchor bolts for wall mount and post base plate will be 5/8" Dia. ASTM A36 threaded rods with one hex nut and one hardened steel washer at each bolt. 3/8" Dia. threaded rod embedment depth for wall mounts is 3 1/2" and embedment depth for post base plate is 5".

Embed threaded rods into concrete with a Type III (Class C) epoxy meeting the requirements of DMS-6100, "Epoxyes and Adhesives". Mix and dispense adhesive with the manufacturer's static mixing nozzle/dual cartridge system. Core drill holes (percussion drilling not permitted).

At the contractor's option the post base plate anchor bolts may be cast with the Ramp/Sidewalk (See Cast-in-Place Anchor Bolt Options).

Optional cast-in-place anchor bolts will be 5/8" Dia ASTM A307 Grade A bolts (or A36 threaded rods with one tack welded hex nut each) with one hex nut and one hardened steel washer at each bolt. Embedment depth of cast-in-place bolt will be 8" for post base plate.

Handrails and any wall or other surface adjacent to them will be free of any sharp or abrasive elements.

Submit shop drawings to the Engineer unless otherwise noted. For curved handrail applications, fabricate the handrail to the curve if radius is less than 600 ft. Shop drawings are required when rail is fabricated to the curve.

For all handrails, erection drawings will be submitted to the Engineer for approval to ensure proper installation.

Drawings will show handrail mount locations with bolts setting, spacing, ramp slope, and/or splice joint locations, and handrail lengths with identification showing where each handrail goes on the layout.

Payment for concrete sidewalks or curb ramps will be paid for in accordance with Item 531 "Sidewalks".

Payment for all items shown is to be included in unit price bid in accordance with Item 450 "Railing" of the type specified.

All exposed edges will be rounded or chamfered to approximately 1/8" by grinding.

		Design Division Standard	
<h2>PEDESTRIAN HANDRAIL DETAILS</h2> <h3>PRD-13</h3>			
FILE: prd13.dgn	DN: TxDOT	CK: AM	DW: JTR
© TxDOT December 2006	CONT	SECT	JOB
REVISIONS			HIGHWAY
REVISED MAY, 2013 (VP)	DIST	COUNTY	SHEET NO.